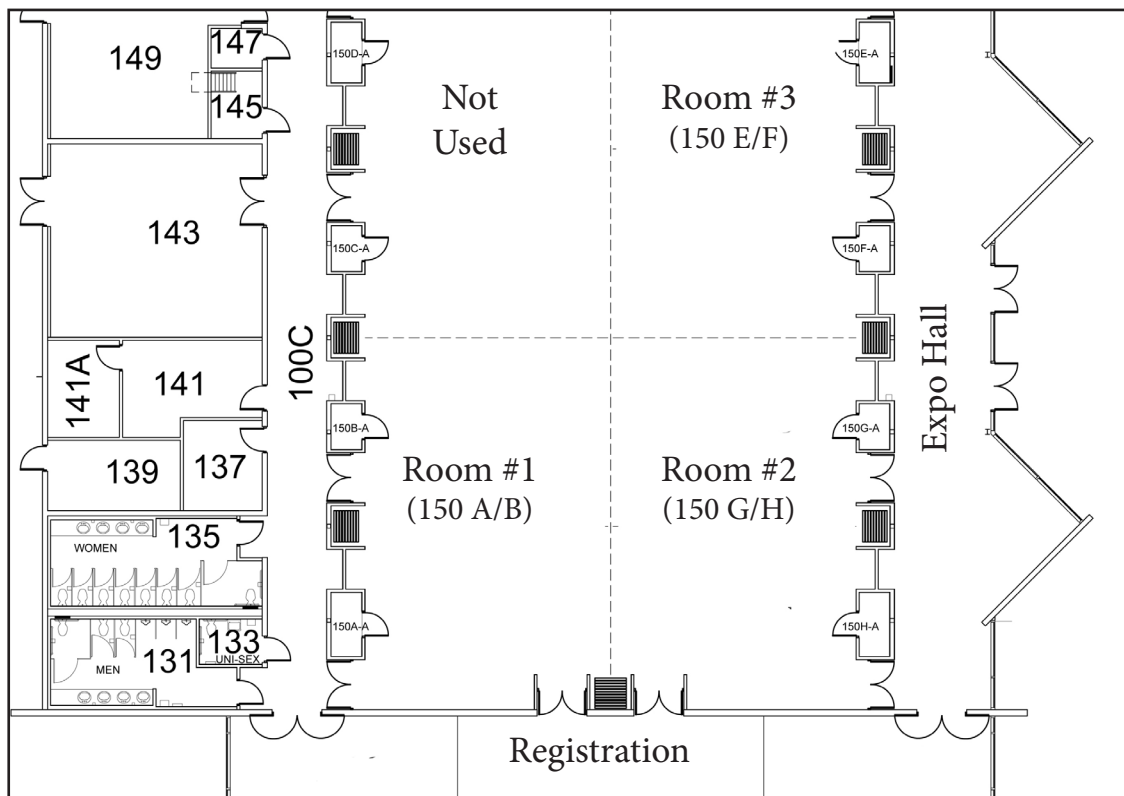


# Utah DCC

## Utah Digital Communications Conference

### Schedule

8:30am	-	9:00am	Registration/Check-In
9:00am	-	9:10am	Welcome
9:10am	-	10:10am	Five minutes to Digital with the ICOM 705 Mike Gordon AG7MG
10:10am	-	10:20am	Prize Drawing
10:20am	-	10:35am	Break
10:35am	-	10:45am	ARRL Business
10:45am	-	11:45am	Intro to the NanoVNA – Antenna analyzer and more Clint Turner KA7OEI
11:45am	-	1:00pm	Lunch On Your Own
1:00pm	-	2:00pm	Session #1
2:00pm	-	2:20pm	Break
2:20pm	-	3:20pm	Session #2
3:20pm	-	3:40pm	Break
3:40pm	-	4:40pm	Session #3
4:40pm	-	5:30pm	Q&A, Product Demonstrations (Lobby & Expo Hall)



# Utah DCC

## Utah Digital Communications Conference

### SESSION #1 1:00PM - 2:00PM

- Room 1      **DSTAR**  
(150 A/B)    Ted McArthur AC7II
- Room 2      **Mastering the Art of Hidden Transmitter Hunting**  
(150 G/H)    Larry Jacobs WA7ZBO
- Room 3      **Evaluating your ham radio station for EMF (new FCC requirements)**  
(150 E/F)    Douglas Datwyler WR7O

### SESSION #2 2:20PM - 3:20PM

- Room 1      **ARDC Introduction and Update**  
(150 A/B)    John Hays K7VE
- Room 2      **WinLink: ARES Topics**  
(150 G/H)    Tyler Griffiths N7UWX
- Room 3      **Smith Charts: What, Why, How**  
(150 E/F)    Roland K Smith K7OJL

### SESSION #3 3:40PM - 4:40PM

- Room 1      **Digital Modes on Amateur Satellites**  
(150 A/B)    Carlos Cardon W7QL
- Room 2      **DMR: What can I do now that I have a DMR Radio?**  
(150 G/H)    Chris Andrist KC7WSU, Roger Davies N6DVZ
- Room 3      **How to measure a common mode choke with the NanoVNA**  
(150 E/F)    Kelby Davis AD7VO